

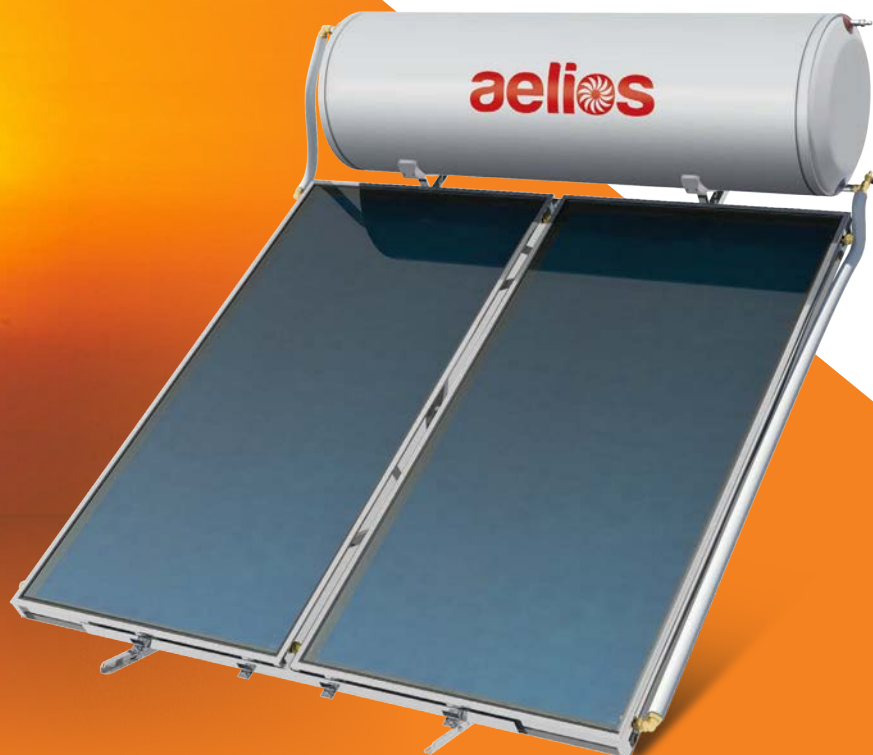


Efficiency and reliability, every day!

SOLAR WATER HEATERS

*Cost-effective
proposal of high
performance!*

aelios®



aelios®



New aesthetics approach
Cost-effective proposal of high performance
Ample hot water, money and energy savings

Solar Water Heaters Aelios Series for a more cost-effective proposal of high performance and aesthetics. Available only in GLASS LINE version.

The boiler comes with metallic side caps offer a new aesthetic approach. The collector with new aluminum profile design is available in selective or black painted absorber, selective series CuS and black painted series CuB accordingly.

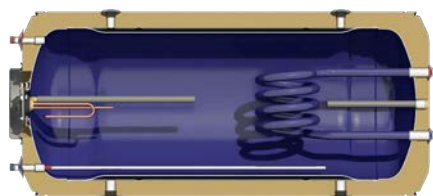


New design aluminum profile collector with selective or black painted absorber

TECHNICAL SPECIFICATIONS

WATER TANK

- External housing of prepainted steel
- Water tank of cold rolled steel with a double internal layer of enamel (GLASS) *
- Ecological high-density thermal insulation of expanded polyurethane
- Anticorrosion protection
- Antifreeze protection
- Real nominal capacity
- Color: grey / other
- ABS UV PROOF external decorative caps



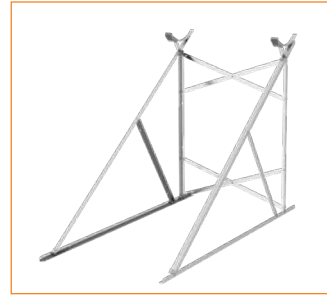
COLLECTOR

- Selective (CuS) or Black Painted (CuB) complete area absorber, laser welded
- Tempered solar glass panel, with a stable coefficient of expansion and high light transmittance
- High density, eco-friendly thermal insulation
- Colour: aluminum / other



SUPPORT BASE

One type of support base system, made of 2.5mm thick galvanised steel, for installation on **flat** or **inclined** surfaces



AVAILABLE MODELS IN DOUBLE OR TRIPLE ACTION

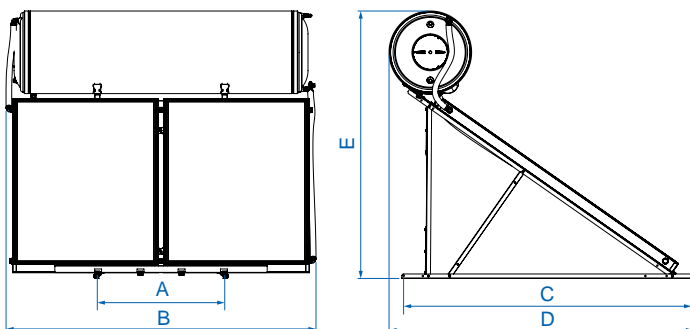
AELIOS CUS - AELIOS CUB

160lt /2.0m ²	160lt /2.6m ²	160lt /3.0m ²	200lt /2.0m ²	200lt /2.6m ²	200lt /3.0m ²	200lt /4.0m ²	300lt /4.0m ²	300lt /6.0m ²
--------------------------	--------------------------	--------------------------	--------------------------	--------------------------	--------------------------	--------------------------	--------------------------	--------------------------

AVAILABLE ALSO IN SHORT HEIGHT TYPE

DIMENSIONS (in cm)

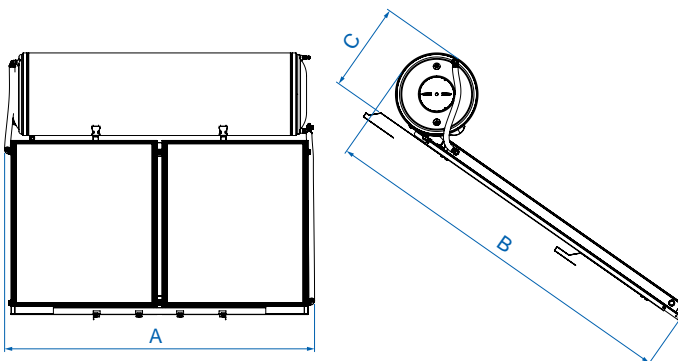
FLAT SURFACE



TYPE	A	B	C	D	E
120lt/2.0m ²	70	112	203	215	189
160lt/2.0m ²	90	117	203	215	189
160lt/2.6m ²	90	141	203	215	189
160lt/3.0m ²	90	219	153	170	160
200lt/2.0m ²	90	141	203	215	189
200lt/2.6m ²	90	140	203	215	189
200lt/3.0m ²	90	219	153	170	160
200lt/4.0m ²	90	219	203	215	189
300lt/4.0m ²	90	219	203	215	189
300lt/6.0m ²	90	325	203	215	189

DIMENSIONS (in cm)

INCLINED SURFACE



TYPE	A	B	C
120lt/2.0m ²	112	261	63
160lt/2.0m ²	118	261	63
160lt/2.6m ²	142	261	63
160lt/3.0m ²	219	211	63
200lt/2.0m ²	141	261	63
200lt/2.6m ²	141	261	63
200lt/3.0m ²	219	211	63
200lt/4.0m ²	219	261	63
300lt/4.0m ²	219	261	63
300lt/6.0m ²	325	261	63

The coach screws used for tile roofs are placed in 70cm, 85cm, 95cm or 117cm (width) distance from each other and along the length of the solar water heater in C distance.



Efficiency and reliability, every day!

SOLAR WATER HEATERS

aelios®

NOBEL INTERNATIONAL EAD
SOLAR WATER HEATING SYSTEMS INDUSTRY

48 Vitosha Blvd., Elin Pelin 2100 - Sofia Region, Bulgaria
Tel.: +359 2 4210232 email: info@nobel.bg

www.nobel.bg

